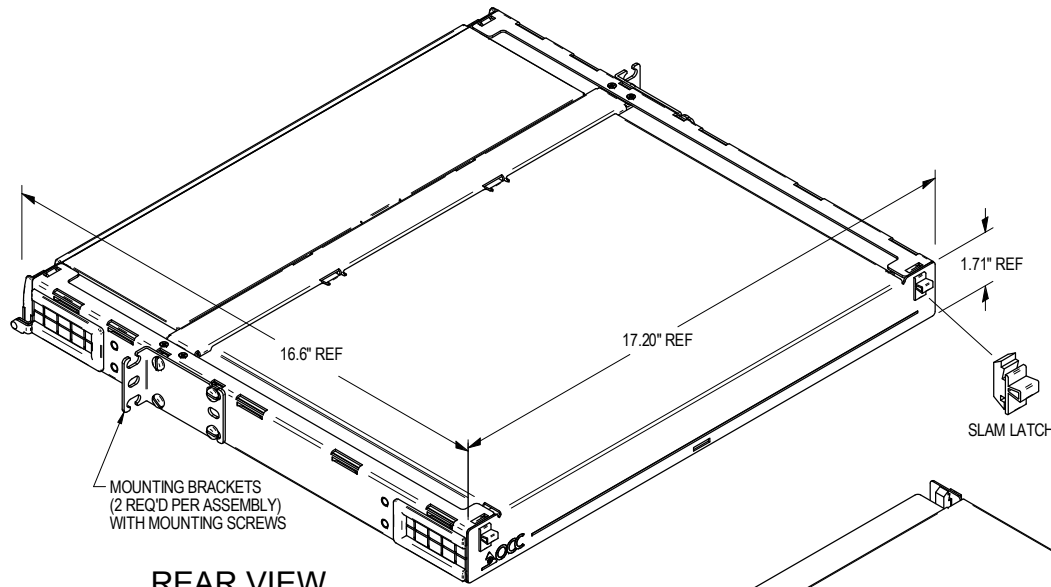


REVISION HISTORY		DATE	ECN	CHECKED
REV/SHT	DESCRIPTION			
A	ALL RELEASE NEW	1/14/14	NEW	JH

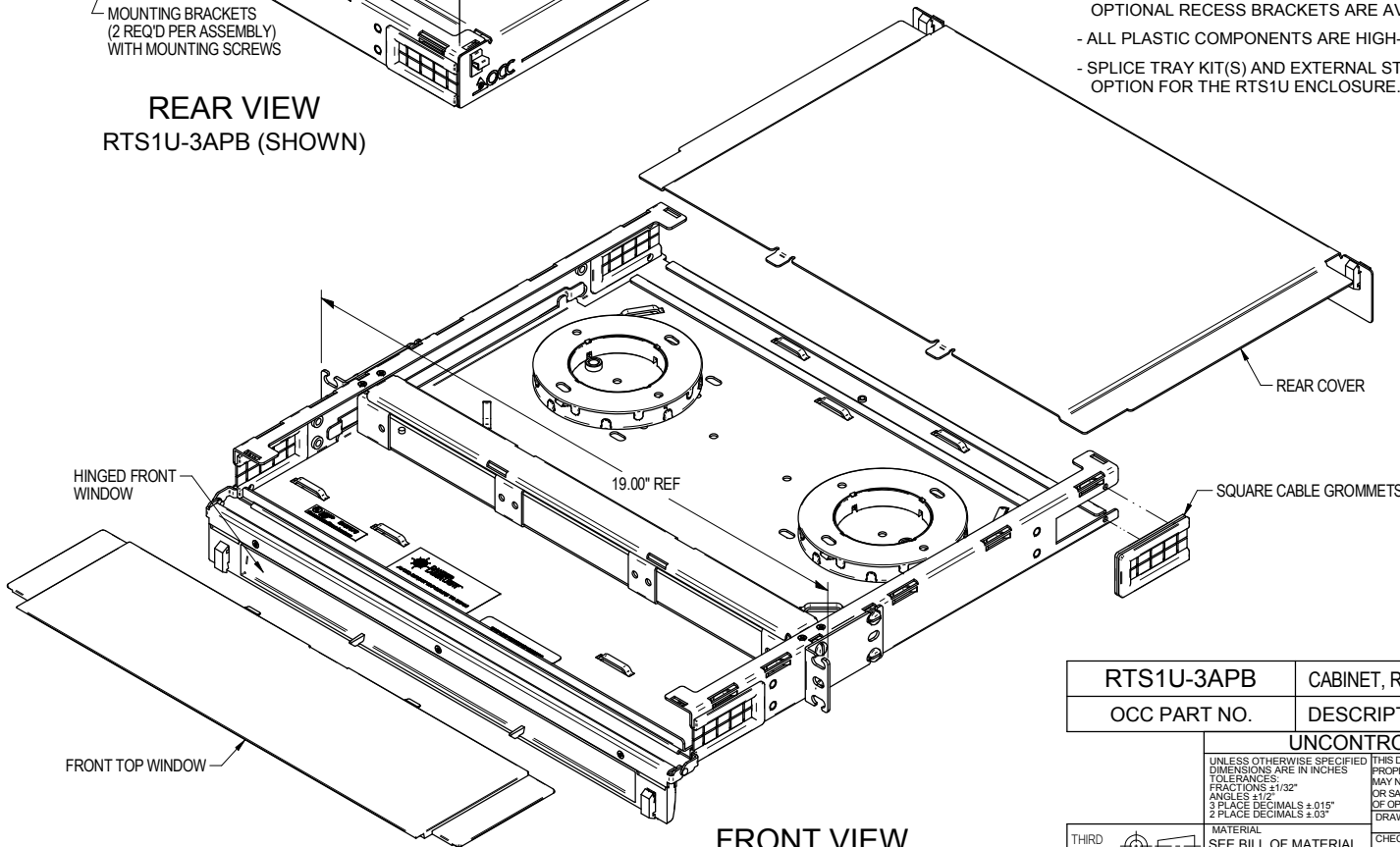
## SPECIFICATIONS

### FEATURES & BENEFITS:

- OPTICAL CABLE CORPORATION'S, RTS1U SERIES LOW PROFILE FIBER OPTIC CROSS CONNECT ENCLOSURES PROVIDE FIBER MANAGEMENT, CONNECTIVITY, AND DISTRIBUTION FOR 6-36 FIBERS. ACCOMMODATES ALL CROSS CONNECT FUNCTIONS (SPLICING, TERMINATION, AND INTERCONNECTION) FOR OUTSIDE PLANT, BACKBONE, AND BUILDING CABLES.
- ACCOMMODATES OCC 600 SERIES SNAP-IN ADAPTER PLATES. RTS1U ENCLOSURE PORT COUNT IS BASED UPON THE PORT DENSITY OF THE ADAPTER PLATES. ADAPTER PLATES ORDERED SEPARATELY.
- RTS1U ENCLOSURES PROVIDE INNOVATIVE FIBER ORGANIZATION UTILIZING STACKABLE FIBER HOOPS DESIGNED TO MAINTAIN ORDERLY FIBER MANAGEMENT AND ALLOW FOR GREATER SEGREGATION OF INCOMING FIBER CABLES
- PLASTIC GROMMETS PROVIDE RELIABLE CABLE PROTECTION AT ALL CABLE ENTRANCES AND EXITS.
- RUGGED 16-GAUGE STEEL CONSTRUCTION WITH A DURABLE POWDER COAT FINISH. RTS1U DRAWER COLOR: B = BLACK
- SLIDING TRAY PROVIDE EASY FRONT AND REAR ACCESS AND CAN BE REMOVED ENTIRELY FROM THE ENCLOSURE FOR A CONVENIENT WORK SURFACE
- HINGED TRANSPARENT COVER ALLOWS FOR VISUAL INSPECTION OF PORTS AND DEFINED LABELING FIELD PROVIDED FOR TIA 606A COMPLIANCE.
- STANDARD UNIVERSAL MOUNTING BRACKETS INCLUDED TO FIT 19" AND 23" RACKS OR CABINETS. OPTIONAL RECESS BRACKETS ARE AVAILABLE TO ALLOW RTS1U ENCLOSURES TO FIT FLUSH WITH RACK
- ALL PLASTIC COMPONENTS ARE HIGH-IMPACT SELF-EXTINGUISHING, UL LISTED RATING 94 V-0.
- SPLICE TRAY KIT(S) AND EXTERNAL STRAIN RELIEF BRACKETS MAY BE ORDERED SEPARATELY AS AN OPTION FOR THE RTS1U ENCLOSURE.




REAR VIEW  
RTS1U-3APB (SHOWN)



FRONT VIEW  
(TOP WINDOW REMOVED FOR CLARITY)  
RTS1U-3APB (SHOWN)

**UNCONTROLLED COPY**

"OPTICAL CABLE CORPORATION (OCC)  
RESERVES THE RIGHT TO REVISE ANY  
RACK CABINET SPECIFICATIONS."

RTS1U-3APB		CABINET, RACK MNT, RTS, 1 UNIT, 3 ADAPTER PLATES, BLACK	
OCC PART NO.		DESCRIPTION	
<b>UNCONTROLLED COPY</b>			
UNLESS OTHERWISE SPECIFIED DIMENSIONS ARE IN INCHES TOLERANCES: FRACTIONS ±1/32" ANGLES ±1/2° 3 PLACE DECIMALS ±.015" 2 PLACE DECIMALS ±.03"		THIS DRAWING AND THE DESIGN SHOWN ARE THE PROPERTY OF OPTICAL CABLE CORPORATION AND MAY NOT BE USED AS THE BASIS FOR MANUFACTURE OR SALE WITHOUT SPECIFIC WRITTEN PERMISSION OF OPTICAL CABLE CORPORATION.	
MATERIAL SEE BILL OF MATERIAL	DRAWN D.A.HOLBERT	DATE 1/14/14	 33 Superior Way Swannanoa, NC 28778 Phone: 828-298-2260 Fax: 828-298-2487 www.occfiber.com
FINISH SEE NOTES	CHECKED S.PORACH	DATE 1/20/14	
	ENGINEER J.YANIK	DATE 1/14/14	
	APPROVED J.HOWE	DATE 1/20/14	
CRITICAL DIMENSION CODE Ⓢ = FUNCTION Ⓜ = MATING ⓐ = AUDIT	PREVIOUS DWG	NEXT DWG	DWG TITLE <b>CUSTOMER DRAWING, CABINET ASSEMBLY, RTS1U, RACK MNT SLIDING, 3 PLATES</b>
	FILENAME C111653S1A.dft	SCALE NONE	SIZE C DWG NO. <b>C111653</b> REV A
			SHEET 1 OF 2